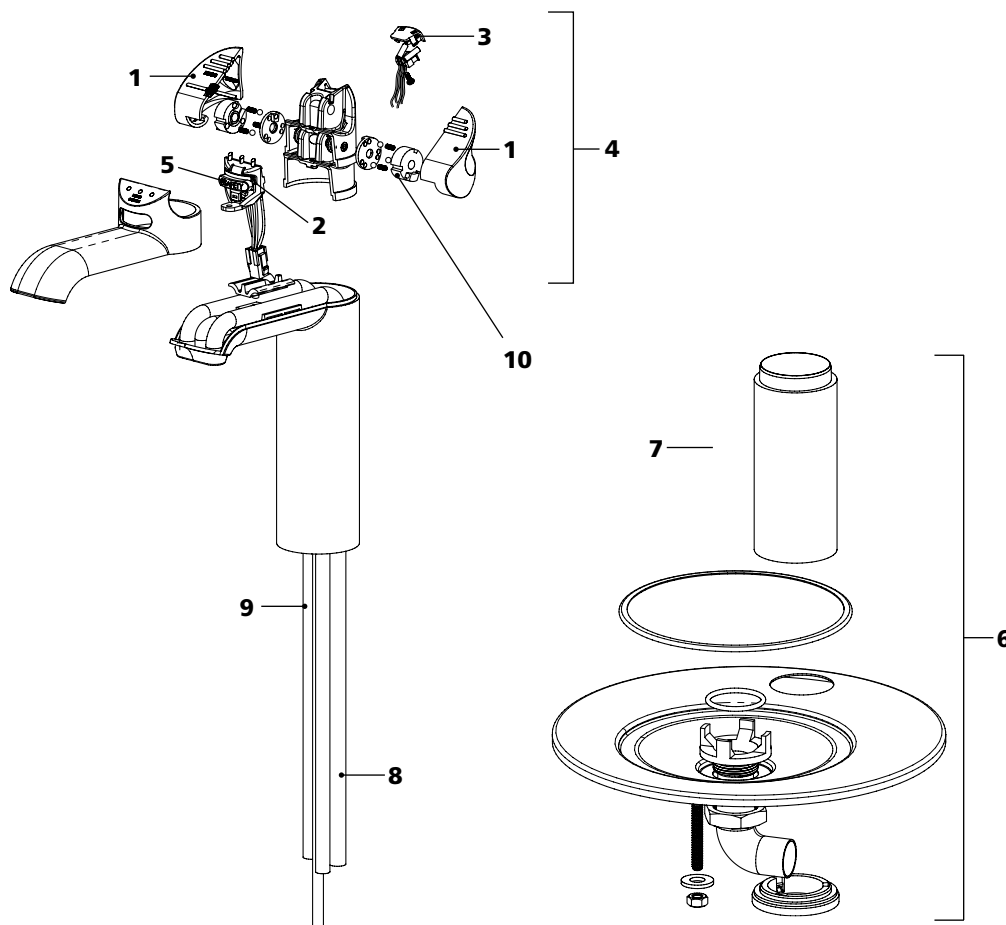


# ZIP HydroTap® – Font and drain



Pos.	Art.-No.	Description	Euro*	Pos.	Art.-No.	Description	Euro*
1*	890676	Switch attachment hot/cold, chrome	85.00	9	883113	Silicone hose bulk goods (ø 10,95); 1-time per tap necessary	9.00
1a*	890678	Switch attachment hot, chrome	85.00	10	890647	Spring unit	38.00
2	890645	Electronic with safety button	85.00	not shown:			
3	890800	Dry reed contact	55.00	4100-44106	Tap BC, high-grade steel	405.00	
4*	899142	Head of fittings (inclusive switch attachment, hot/cold, springs, dry reed contact, electronic, safety button)	275.00	4100-44090	Tap BC, chrome	365.00	
4a	899189	Head of fittings without switch attachment	205.00	84400	Tap HT 60 / B 100 F, chrome	360.00	
5	899169	Safety button	29.00	4100-44105	Tap HT 60 / B 100 F, high-grade steel	379.00	
6	4100-44101	Tray with extension, chrome	146.00	889114	ZIP clamp 12 × 8 mm (brass)	1.10	
6a	4100-44107	Tray with extension, high-grade steel	197.00	883130	ZIP clamp 10,5 × 8,2 mm	1.10	
7*	4100-44102	Extension, chrome	76.00	* in high-grade steel on demand			
8	882793	Silicone hose bulk goods (ø 12,75); 2-times per tap necessary	10.50				

When ordering, please always specify the appliance model and serial number from the rating plate. Further spare parts on request.

CLAGE GmbH  
Pirolweg 1–5, 21337 Lüneburg  
Fon: +49 (0) 41 31 · 8901-0  
Fax: +49 (0) 41 31 · 83 200  
E-mail: export@clage.de

Service:  
Fon: +49 (0) 41 31 · 8901-40  
Fax: +49 (0) 41 31 · 8901-41  
E-mail: service@clage.de  
Internet: www.clage.de