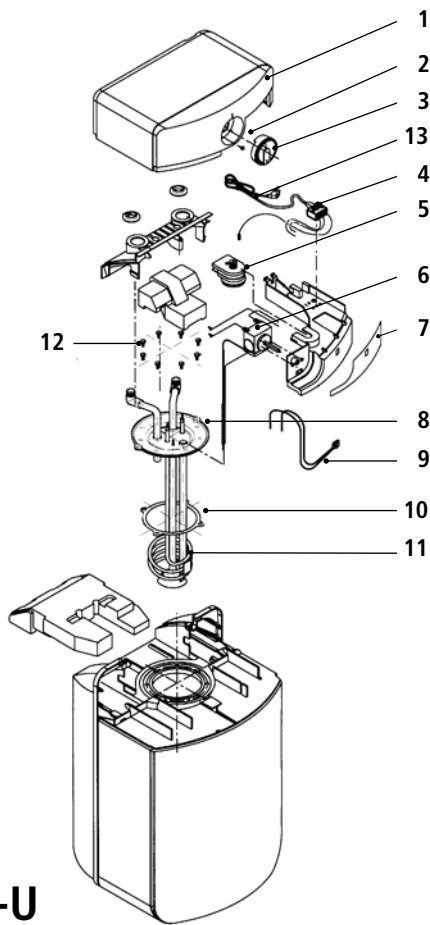
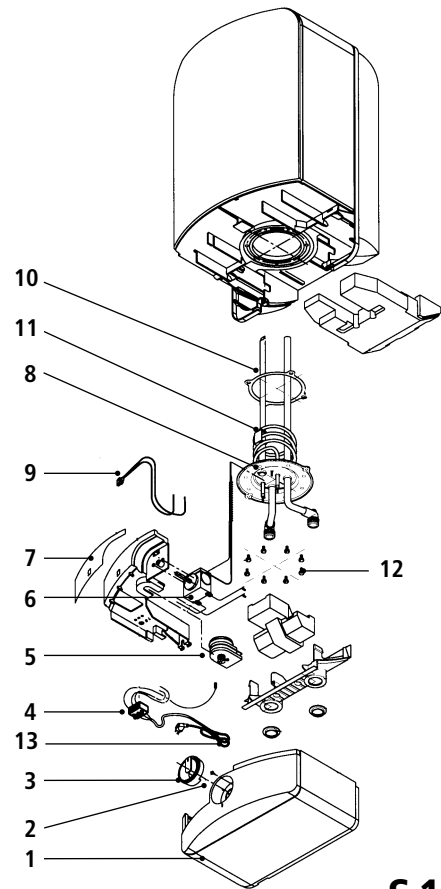


# Storage water heater S 10-U and S 10-O



## S 10-U



## S 10-O

Pos.	Art.-No.	Description	EUR*	Pos.	Art.-No.	Description	EUR*
1	83010	Appliance hood (-U/-O)	20.00	9	83080	Indicator lamp	8.00
2	83025	Hood's mounting screw	2.00	10	83260	Flanged joint	5.55
3	83140	Temperature selector	12.00	11	83210	Heating element 2.2 kW / 230V(-U)	55,90
4	83090	Binding post	4.00		83220	Heating element 2.2 kW / 230V(-O)	55,90
5	83100	Safety thermal cut-out	51.90	12	83240	Screw M6 x 14 (heating element)	1.00
6	83110	Control thermostat	59.00	13	83130	Connecting cable with plug	8.00
7	83040	Operating folio S 10 (-U)	4.00		not shown:		
	83050	Operating folio S 10 (-O)	4.00	14	83250	Mounting bracket	5.00
8	83230	Fastening flange	5.00				

When ordering, please always specify the appliance model and serial number from the rating plate. Further spare parts on request. Please contact our customer service if you have a defect heating element or electronic board.

CLAGE GmbH  
 Pirolweg 1–5, 21337 Lüneburg  
 Fon: +49(0)4131·8901-0  
 Fax: +49(0)4131·83 200  
 E-mail: export@clage.de

Service:  
 Fon: +49(0)4131·8901-40  
 Fax: +49(0)4131·8901-41  
 E-mail: service@clage.de  
 Internet: www.clage.de