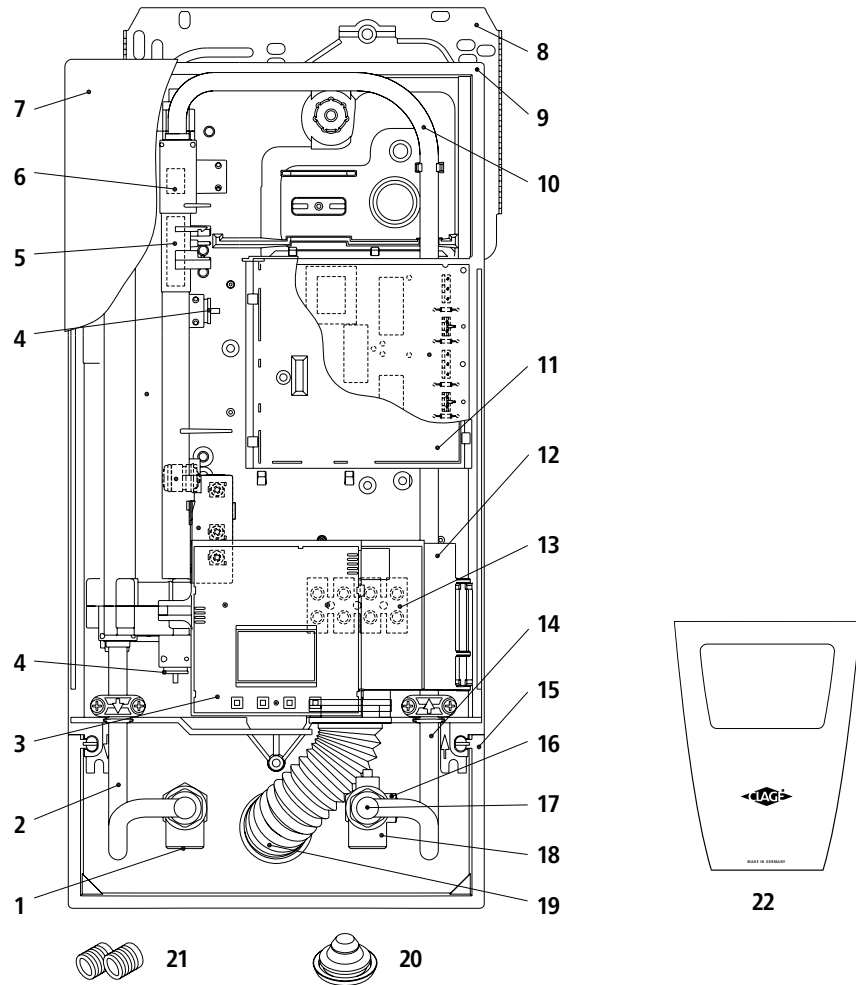


Instantaneous water heater DEX (since 08/2012)



Pos.	Art.-No.	Description	Euro*	Pos.	Art.-No.	Description	Euro*
1	82085	Hot water connection	25.00	15	82571	Frame	6.00
2	82529	Outlet pipe	12.00	16	82162	Fine filter	5.00
3	82550	DEX control panel	45.00	17	89110	Flow limiter 8 l/min	3.00
4	82851	DSX / DEX thermal sensor set 2.1	32.00	18	82074	Cold water connection	25.00
5	82526	Flow sensor	14.00	19	82060	Water splash protection sleeve	5.00
6	82246	Non-return valve	6.00	20	82180	Grommet	4.00
7	82502	DEX hood	25.00	21	82110	Screw-in nipples 1/2"	4.00
8	82520	Wall bracket	5.00	22	82504	Faceplate	7.00
9	82505	Bottom part	15.00	Not shown:			
10	82591	DBX / DEX connecting pipe	10.00	23	82598	Set of small spare parts	10.00
11	82852	PCB cover 2.1	5.00	24	82509	Operating foil	2.95
12	82573	Control panel support	5.00	Parts in bold type are key components for servicing purposes.			
13	82572	Connecting terminal	4.00				
14	82531	Inlet pipe	15.00				

When ordering, please always specify the appliance model and serial number from the rating plate. Further spare parts on request. Please contact our customer service if you have a defect heating element or electronic board.

CLAGE GmbH
 Pirolweg 1–5, 21337 Lüneburg
 Fon: +49(0)4131·8901-0
 Fax: +49(0)4131·83 200
 E-mail: export@clage.de

Service:
 Fon: +49(0)4131·8901-40
 Fax: +49(0)4131·8901-41
 E-mail: service@clage.de
 Internet: www.clage.de