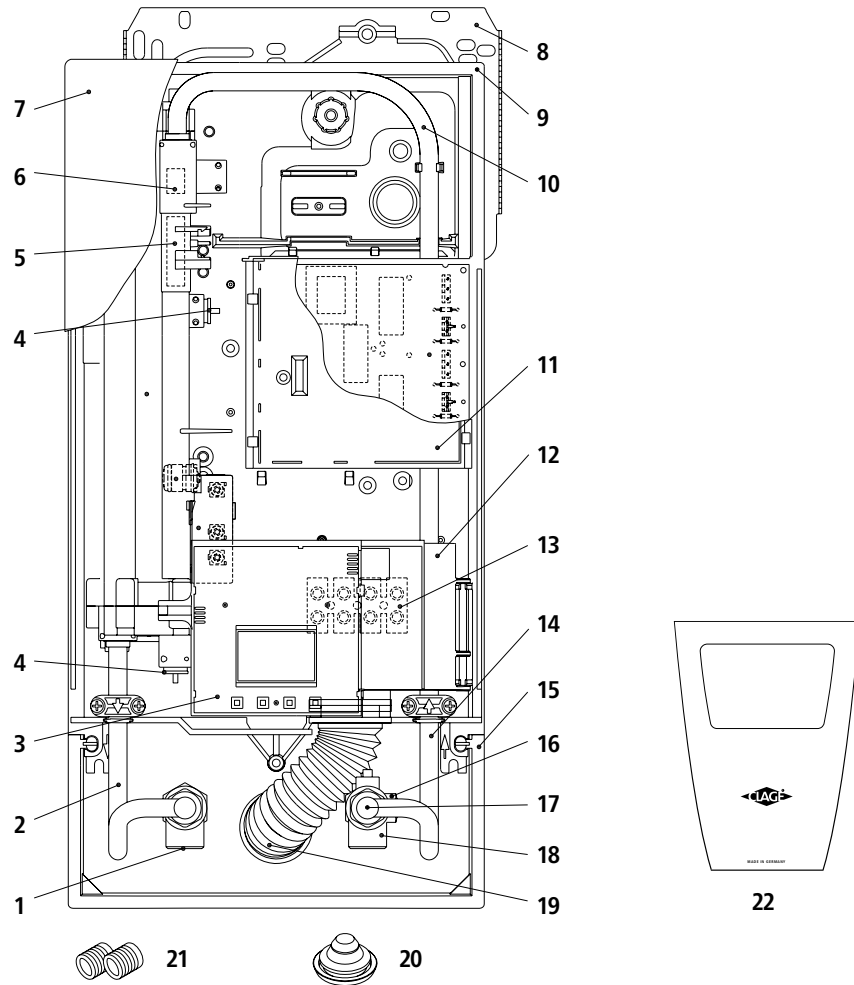


Instantaneous water heater DEX (before 07/2012)



Pos.	Art.-No.	Description	Euro*	Pos.	Art.-No.	Description	Euro*
1	82085	Hot water connection	25.00	15	82571	Frame	6.00
2	82529	Outlet pipe	12.00	16	82162	Fine filter	5.00
3	82550	DEX control panel	45.00	17	89110	Flow limiter 8 l/min	3.00
4	82512	DSX / DEX thermal sensor set	32.00	18	82074	Cold water connection	25.00
5	82526	Flow sensor	14.00	19	82060	Water splash protection sleeve	5.00
6	82246	Non-return valve	6.00	20	82180	Grommet	4.00
7	82502	DEX hood	25.00	21	82110	Screw-in nipples 1/2"	4.00
8	82520	Wall bracket	5.00	22	82504	Faceplate	7.00
9	82505	Bottom part	15.00				
10	82591	DBX / DEX connecting pipe	10.00	Not shown:			
11	82580	PCB cover	5.00	23	82598	Set of small spare parts	10.00
12	82573	Control panel support	5.00	24	82509	Operating foil	2.95
13	82572	Connecting terminal	4.00				
14	82531	Inlet pipe	15.00				
						Parts in bold type are key components for servicing purposes.	

When ordering, please always specify the appliance model and serial number from the rating plate. Further spare parts on request.

CLAGE GmbH
 Pirolweg 1–5, 21337 Lüneburg
 Fon: +49(0)4131·8901-0
 Fax: +49(0)4131·83 200
 E-mail: export@clage.de

Service:
 Fon: +49(0)4131·8901-40
 Fax: +49(0)4131·8901-41
 E-mail: service@clage.de
 Internet: www.clage.de