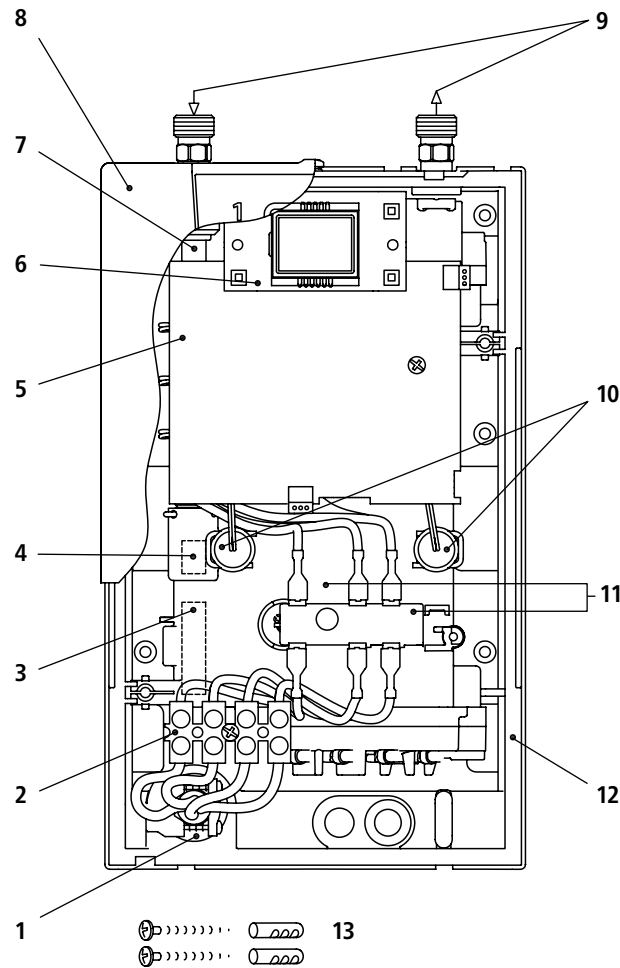


Instantaneous water heater CEX 11..13-U / CEX 11..13



Pos.	Art.-No.	Description	Euro*	Pos.	Art.-No.	Description	Euro*
1	82806	Grommet	4.00	9	82807	Connection pieces 3/8" (undersink)	14.00
2	86250	Connection terminal	4.00	9a	82813	Connection pieces 1/2" (oversink)	14.00
3	82819	Flow sensor	28.00	10	82512	Temperature sensor set until 07 / 2012	32.00
4	82246	Non-return valve	4.00	10a	82851	Temperature sensor set from 08 / 2012	32.00
5	82803	PCB CEX / CFX	90.00	11	82808	Heating element	155.00
6		CEX-U control panel see position 8		12	82809	Bottom part	16.00
6a		CEX control panel see position 8		13	82817	Set of small parts	3.50
7	82802	Inlet pipe	22.00				
8	82800	CEX-U front cover (undersink) with control panel	39.00				
8a	82818	CEX front cover (oversink) with control panel	39.00				

Parts in **bold type** are key components for servicing purposes.

When ordering, please always specify the appliance model and serial number from the rating plate. Further spare parts on request.

CLAGE GmbH
 Pirolweg 1–5, 21337 Lüneburg
 Fon: +49 (0) 4131 8901-0
 Fax: +49 (0) 4131 83 200
 E-mail: export@clage.de

Service:
 Fon: +49 (0) 4131 8901-40
 Fax: +49 (0) 4131 8901-41
 E-mail: service@clage.de
 Internet: www.clage.de